

All dimensions in millimeter (mm), unless otherwise specified.

The information in this document including the principles of design as a part or whole is the property of the author. This information may not be used, reproduced, published or disclosed to others without written authorization.

TANK BASIC 18IN 150L



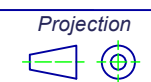
Partnumber
50-0137

Design state
Released

Author
Bert Dirix

Date
04/11/2020

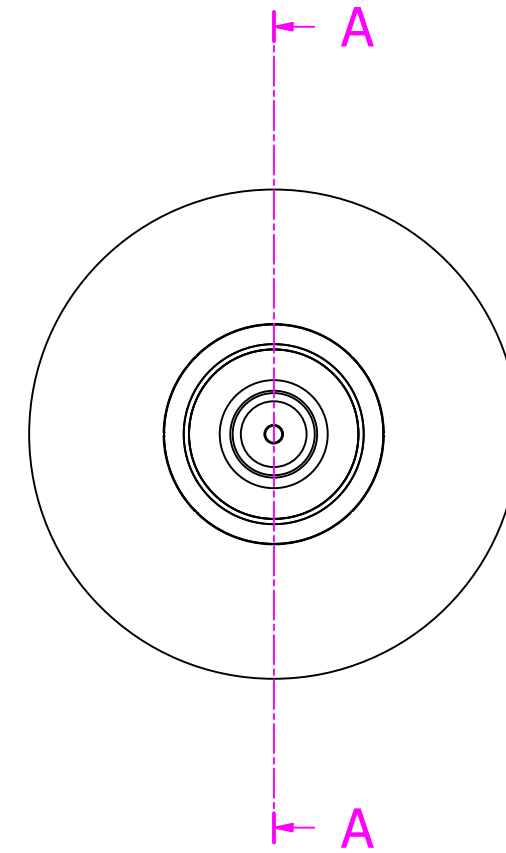
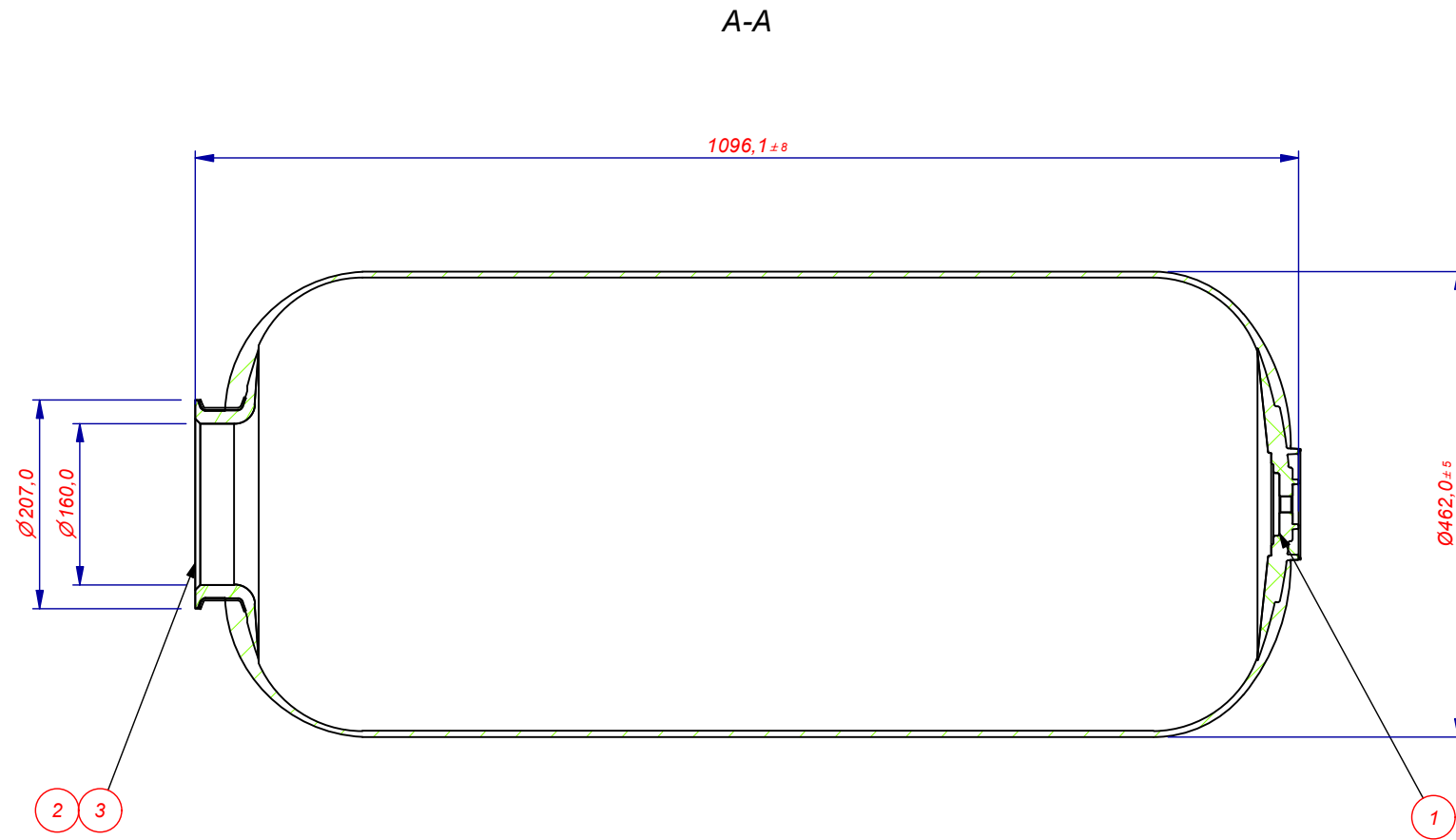
Revision



Sheet
1 / 2

Sheet size
A3

Parts List				
ITEM	QTY	PART NR	REV	DESCRIPTION
1	1	20-0451		Top Insert Sesame 130115
2	8	20-0381	A	METAL INSERT V-CLAMP 2MM
3	1	20-0708		INSERT NATUREL



All dimensions in millimeter (mm), unless otherwise specified.

The information in this document including the principles of design as a part or whole is the property of the author. This information may not be used, reproduced, published or disclosed to others without written authorization.

TANK BASIC 18IN 150L



Partnumber 50-0137		Design state Released		
Author Bert Dirix	Date 04/11/2020	Revision	Projection 	Sheet 2/2
				Sheet size A3