

SPRINKLER FILTERS

S series

The S series filters are used for withholding relatively large inorganic particles such as gravel.

They are reliable filters, with very low maintenance requirements. The S series filters are used for the protection hydraulic valves and flow rate measurement instruments from large inorganic particles. they have applications mainly in sprinkler systems.



The internal element is manufactured by perforated stainless steel sheet which orifices are available in various different dimensions, following demand.

The main parts of this filter series are the metal body, the filter cartridge and the lid. The

internal element is available in different orifice dimensions (micron), varied in relation with the water contamination level.

The filter is cleaned manually, by means of opening the drain vane at the lid, during the irrigation process, or for finer cleaning, the inner cartridge should be disassembled and washed with water. Furthermore, a self washing system "autoflush" can be added to the filter so that the grade of clogging can be controlled and the filter can be given the order to self clean automatically.

Characteristics

Product Key / Type	Inlet / Outlet	Coupling	Filtration Surface		Flow Rate		Maximum Pressure	
			cm ²	in ²	m ³ /h	gpm	bar	psi
05-00-050	2"	, F, G	916	142	15-25	66-110	10	145
05-00-052	3"	, F, G	1561	242	25-50	110-120	10	145
05-00-053	4"	, F, G	2034	315	40-80	176-352	10	155
05-00-055	6"	, F, G	2948	457	80-150	352-660	10	145

M = Thread (B.S.P), F = Flange (DIN 2576, PN10), G = Grooved Thread (Victaulic)



General Characteristics

The filtration grade ranges from 1000 to 4000 microns. Their anti corrosive protection includes surface treatment using phosphoric acids followed by electrostatic polyester paint, while other available paint and material options are also available pending request.

The product is supplied with multiple couplings and flanges options availability (DIN, ASA, etc) conforming to all required international standards.

The maximum operating pressure is 10 bars (145 psi).

They are available in other specifications, such as self cleaning version.



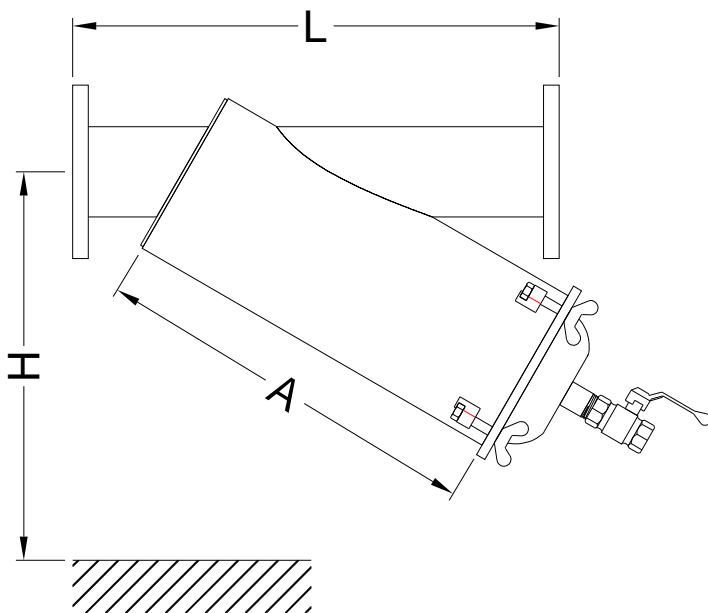
Dimensions

Type	L		A		H*		Weight	
	mm	in.	mm	in.	mm	in.	kg	lbs
2"	470	18.5	250	9.8	300	12.0	13.7	30.2
3"	500	19.7	400	15.7	390	15.3	19.7	43.4
4"	620	24.4	500	19.7	530	21.0	31.6	69.7
6"	750	29.5	500	19.7	550	21.6	51.2	112.8

* H = Minimum recommended installation height

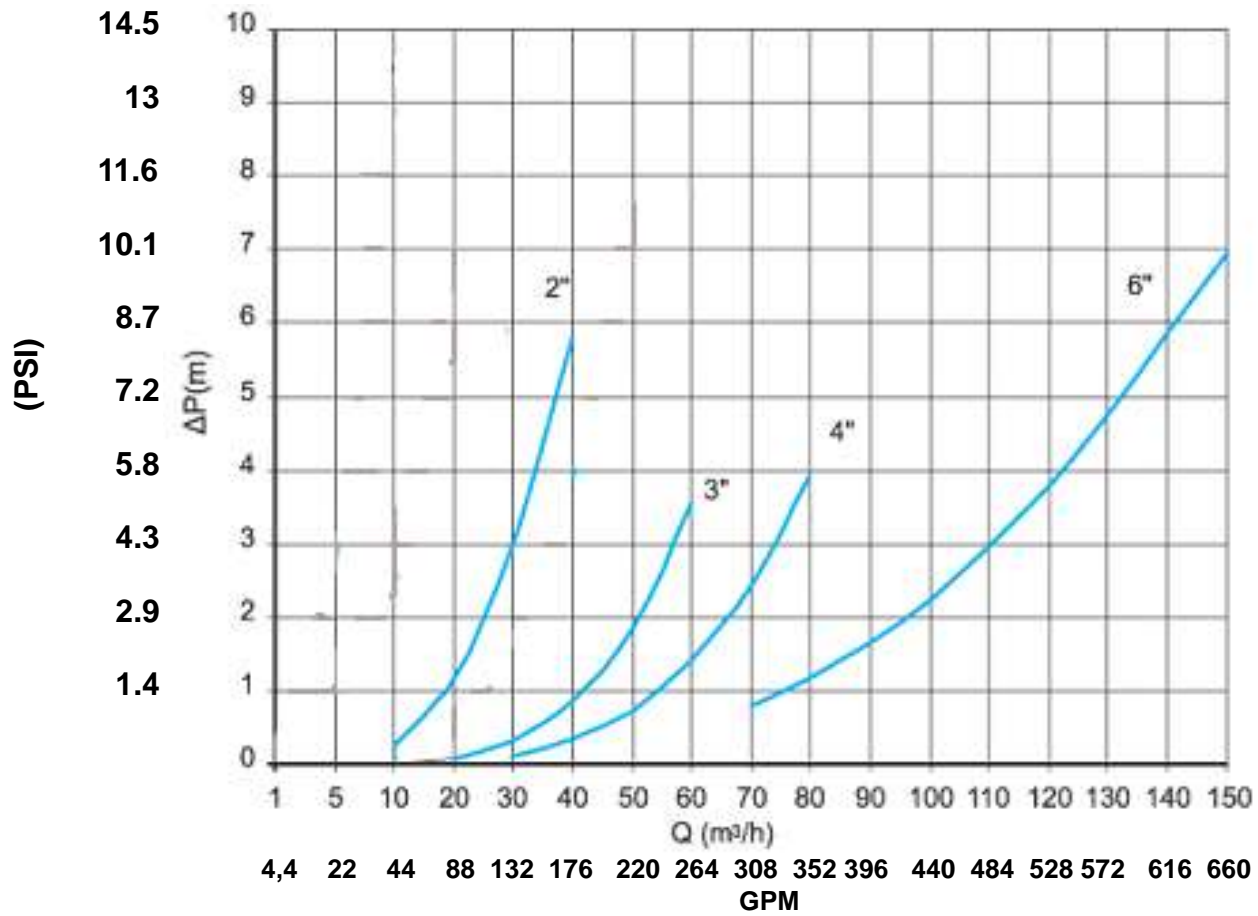
Note: The above weights refer to flanged version filters.

Dimension Diagram



Product Specification Sheet: **S series**

S series pressure loss diagram



Note: All measurements have been taken using orifice size d=4mm, under clean water conditions.

Mesh data

Orifice width d(mm)	Filtration (micron)
1	1000
1.5	1500
2	2000
4	4000

Note: Other filter sizes are available on demand.