



HORIZONTAL FILTERS

O series

The O series horizontal filters are used in filtration situations where we are faced with inorganic particles such as sand in small quantities. The O series filters are used in simple filtration situations or as secondary filters in filtration systems.

The main parts of this filter series are the metal body, the filter cartridge and the lid. The internal cartridge is available in different mesh densities, depending on the water contamination level.

The filter is cleaned manually, by means of opening the drain vane at the lid, during the irrigation process, or for finer cleaning, the inner cartridge should be disassembled and washed with water.

There is a filter feature option where a [special brush component](#) provides surface cleaning during filtration.

The component operates [reciprocally](#), using a manual operated handle. Furthermore, a self washing system "autoflush" can be added to the filter so that the grade of clogging can be controled and the filter can be given the order to self clean automatically.



General Characteristics

The filtration grade ranges from 4000 to 45 microns.

Their anti corrosive protection includes surface treatment using phosphoric acids followed by electrostatic polyester paint, while other available paint and material options are also available pending request.

The product is supplied with multiple couplings and flanges options availability (DIN, ASA, etc) conforming to all required international standards.

The maximum operating pressure range is 8 to 10 bars (116-145 psi).

They are available in other specifications, such as self cleaning version or with a cleaning brush.



Characteristics

Product Key / Type	Inlet / Outlet	Coupling	Filtration Surface		Flow Rate		Maximum Pressure	
			cm ²	in ²	m ³ /h	gpm	bar	psi
05-00-034	3/4"	MT	448	69.5	1-4	4.4-7.6	8	116
05-00-100	1"	MT	448	69.5	2-5	8.8-22	8	116
05-00-150	1 1/2"	MT	448	69.5	4-12	7.6-53	8	116
05-00-200	2"	, F, G	1113	172.5	15-30	66-132	8	116
05-00-201 reciprocating brush	2"	, F, G	1113	172.5	15-30	66-132	8	116
05-00-250	2 1/2"	, F, G	1387	215	20-35	88-154	8	116
05-00-251 reciprocating brush	2 1/2"	, F, G	1387	215	20-35	88-154	8	116
05-00-300	3"	, F, G	1697	215	25-40	110-176	8	116
05-00-301 reciprocating brush	3"	, F, G	1697	215	25-40	110-176	8	116
05-00-400	4"	, F, G	1697	215	40-80	176-352	8	116
05-00-401 reciprocating brush	4"	, F, G	1697	215	40-80	176-352	8	116
05-00-600	6"	F	2804	434.5	80-120	352-528	10	116
05-00-601 (super)	6"	F	4554	706	80-150	352-660	10	116

MT= Male Thread (BSP), M = Thread (BSP), F = Flange, G = Grooved Thread (Victaulic)

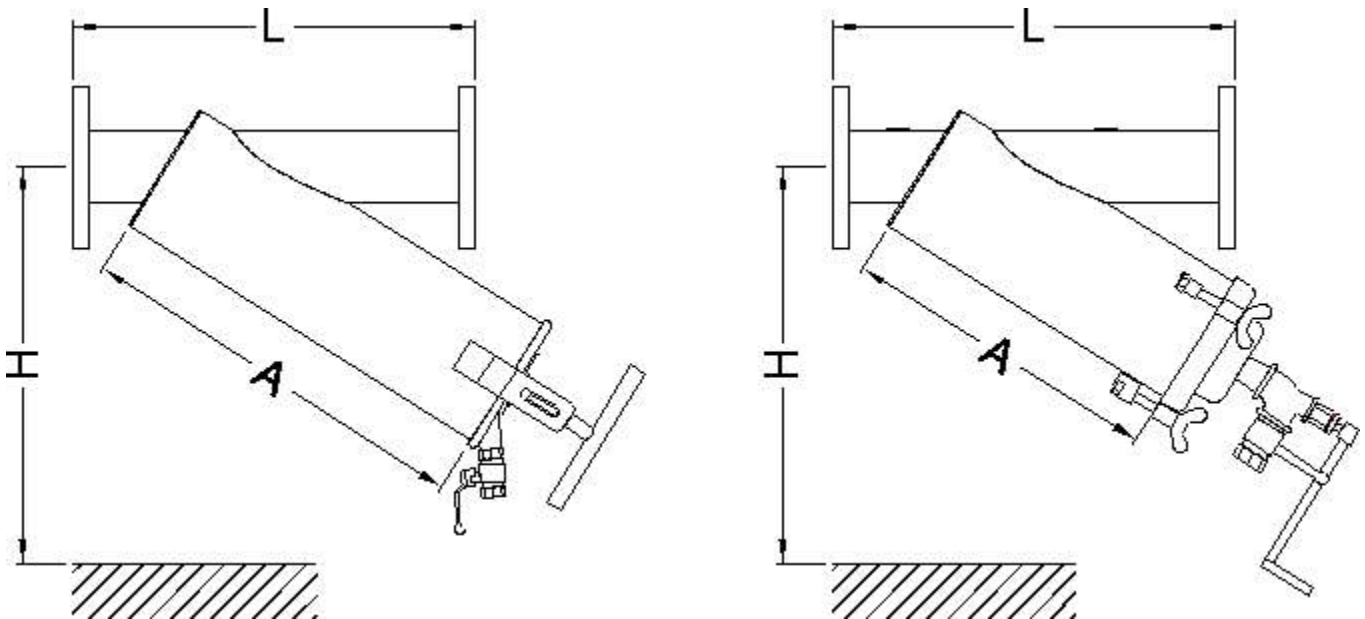
Dimensions

Type	L		A		H*		Weight	
	mm.	in.	mm.	in.	mm.	in.	kg.	Lbs.
3/4"	134	5.3	134	5.3	180	7.1	6.1	13.5
1"	288	11.3	134	5.3	230	9.1	6.2	13.6
1 1/2"	293	11.5	134	5.3	230	9.1	6.4	14.1
2" recip. brush	470	18.5	320	12.6	375	14.8	19.9	44.0
					460	18.1	21.5	47,4
2 1/2" recip. brush	500	19.7	400	15.7	460	18.1	19.9	44.0
					500	19.7	21.5	47,4
3" recip. brush	500	19.7	500	19.7	590	23.2	23.2	51.1
					610	24.0	27.8	61,3
4" recip. brush	620	24.4	500	19.7	590	23.2	37.0	81.5
					610	24.0	33.5	74
6" super	750	29.5	500	19.7	660	26.0	51.2	113
					940	37.0	60.0	132,2

* H = Minimum recommended installation height

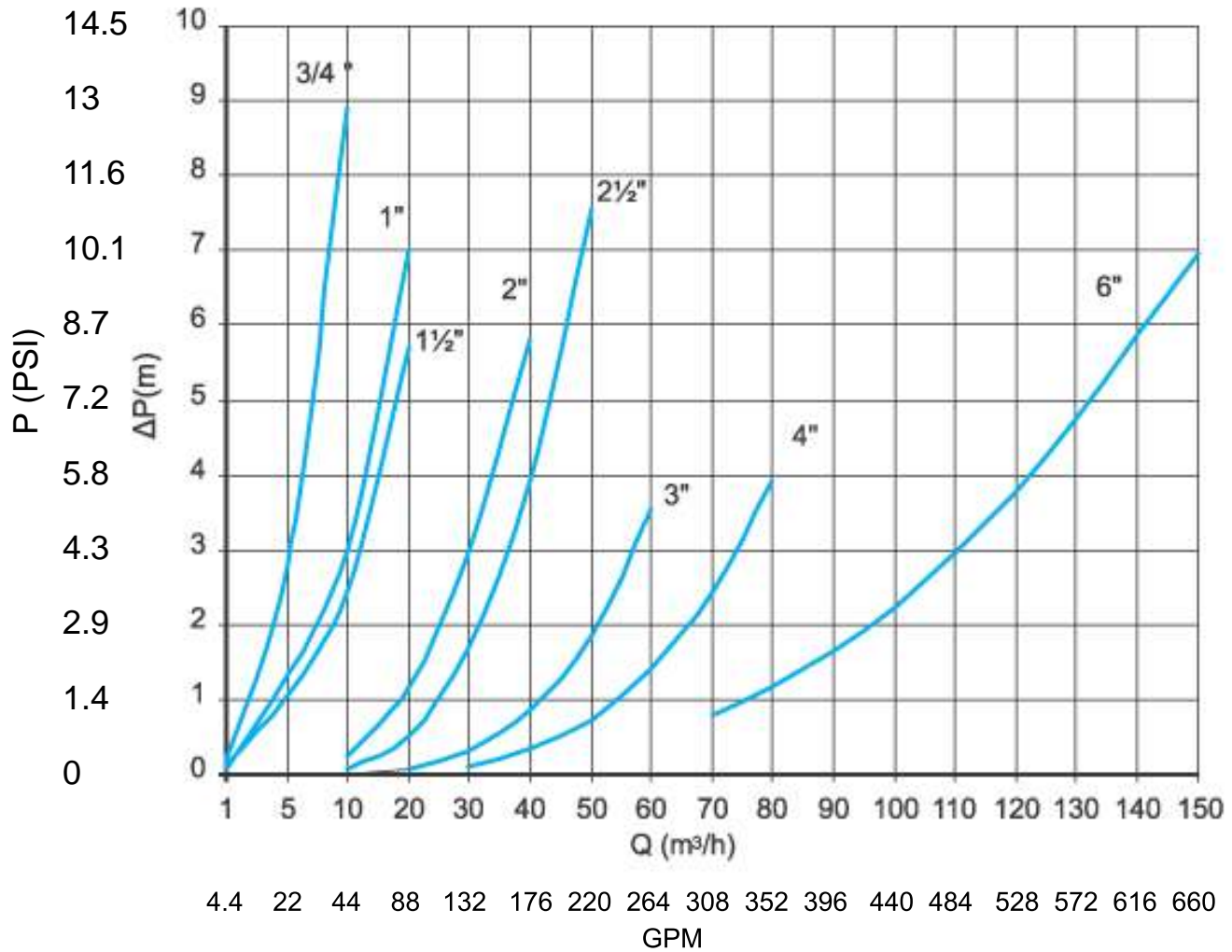
Note: The above weights refer to flanged version filters.

Dimension Diagram



Product Specification Sheet: **O series**

O series pressure loss diagram



Note: All measurements have been taken using 120 micron screen mesh, under clean water conditions.

Mesh data

Mesh	Width (micron)
40	470
50	400
60	320
80	220
120	140
140	115
160	90
180	80

Note: Other filter sizes are available on demand.