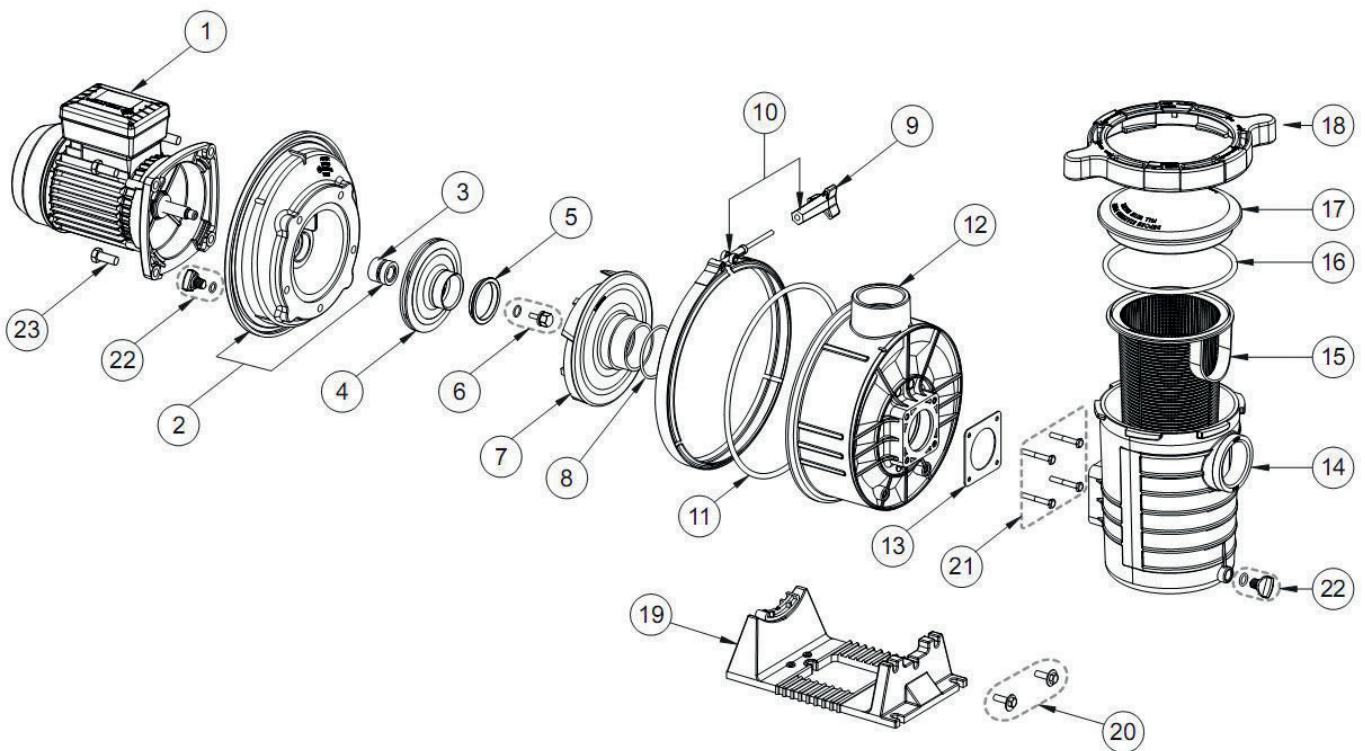


## ULTRAFLOW





# ULTRAFLOW

N°	Référence	Désignation	Codag	Prix € HT
2	<b>R39004910</b>	Plateau assemblage et garniture mécanique	59912178	142,66
3*	<b>R071734SP</b>	Garniture mécanique Ultraflow I / Whisperflo	59911295	38,27
3**	<b>R354545SP</b>	Garniture mécanique pompe Ultraflow II / Superflo	59911279	38,27
4	<b>R39005000</b>	Turbine Ultraflow 0,55kW	59913263	91,71
4	<b>R39005100</b>	Turbine Ultraflow 0,75kW	59913271	91,71
4	<b>R39005300</b>	Turbine Ultraflow 1,1kW	59913298	91,71
4	<b>R39005400</b>	Turbine Ultraflow 1,5kW	59913301	91,71
4	<b>R39010400</b>	Turbine Ultraflow 2,2kW	59913328	91,71
5	<b>R39006900</b>	Bague turbine Ultraflow	59909762	48,91
6	<b>R39009900</b>	Vis turbine Ultraflow	59913670	15,49
7	<b>R39005500</b>	Diffuseur Ultraflow 0,55kW / 1,1kW	59911023	67,30
7	<b>R39015500</b>	Diffuseur Ultraflow 1,5kW / 2,2kW	59911031	59,10
8	<b>R39006600</b>	Joint diffuseur Ultraflow	59911643	4,48
9	<b>RWC3622</b>	Manette serrage collier Ultraflow (S)5P2R/ (S)5P6R	59911945	11,00
10	<b>RC1937A</b>	Collier serrage Ultraflow (S)5P2R/ (SW)5P6R	59910310	95,79
11	<b>R39006000</b>	Joint corps Ultraflow / (S)5P2R/ (S)5P6R D253,37x7,0	59911457	8,80
12	<b>P39007002</b>	Volute pompe Ultraflow	59913778	189,44
13	<b>R39501200</b>	Joint carré Ultraflow	59911406	20,18
14	<b>R39017102</b>	Préfiltre Ultraflow	59912356	142,66
15	<b>R39303500</b>	Panier préfiltre Ultraflow	59912054	53,95
16	<b>R39300600</b>	Joint couvercle Ultraflow	59911570	20,18
17	<b>R39301799</b>	Couvercle préfiltre Ultraflow	59910426	57,07
18	<b>R39105000</b>	Ecrou couvercle Ultraflow	59911074	63,19
19	<b>R39005800</b>	Pied Ultraflow 0,55kW / 1,50kW	59912127	83,61
19	<b>R390058MA</b>	Pied Ultraflow 2,20kW	59912135	83,61
22	<b>R98207700</b>	Bouchon vidange et joints Ultraflow (par 2)	59909924	17,12
	<b>R170498</b>	Kit raccord union	59911872	21,44

\* Garniture mécanique Ultraflow I (jusqu'à 2010)

\*\* Garniture mécanique Ultraflow II (à partir de 2010)