



# TECHNICAL DATA SHEET

## ART. 420024Q

Steel



DIMENSION

**24mm**

DESCRIPTION:

**Flush Bolt for Metal Door**

FINISHING:

**Galvanized Steel**

CATEGORY:

**Bolts**

MATERIAL:

**Body: Steel (DD11)**

**Lever: Steel (DD11)**

Single action Flush bolt for secondary metal doors and windows. The flush bolt is supposed to be inserted and screwed in the profile (or frame) of a metal door or window in order to keep it closed even if the primary leave is opened. In this way it is easy to open also the secondary leave by only operating on the flush bolt by finger. The flush bolt remains hidden and not accessible when the primary leave is closed, allowing more security.

In order to lock both upwards and downwards it is possible to use 2 pcs of the same flush bolt simultaneously. The distance of application of the flush bolt depends on the length of the applied threaded bars (for example Art. 420/A). Another accessory widely used with these flush bolts are female metal caps (for example Art. 420/C) or male metal caps to be installed directly on the flush bolt (for example Art. 420/CP). Their role is to match the hole prepared in the frame in order to assure the locking. In order to complete the assembly correctly the position of the flush bolt should be determined after the installation of the threatened bar and the cap.

The performances are intended for products correctly positioned, fixed, aligned and maintained in relation to the use, the positioning and the environmental conditions. The following factors can affect very much durability, performances and safety:

- The positioning and the alignment on an adequate support
- The correct mounting (screwing or welding) and regulation
- The regular lubrication, cleaning and maintenance (avoiding dirt, dust, rust, etc..)

I.B.F.M. suggest normal scheduled inspection, cleaning and maintenance of the products or eventually their substitution if damaged.

*All the declared characteristics and performances refer to a product correctly installed by qualified personnel and regularly inspected, maintained and lubricated. I.B.F.M. declines any liability for even partial modifications to the product or incorrect installation/fixing.*

*All items supplied by IBFM srl comply with REACH regulation, and do not contain one or more substances of very high concern (SVHC) on the ECHA candidate list in a concentration above 0.1 %.*

Signed for and on behalf of the manufacturer

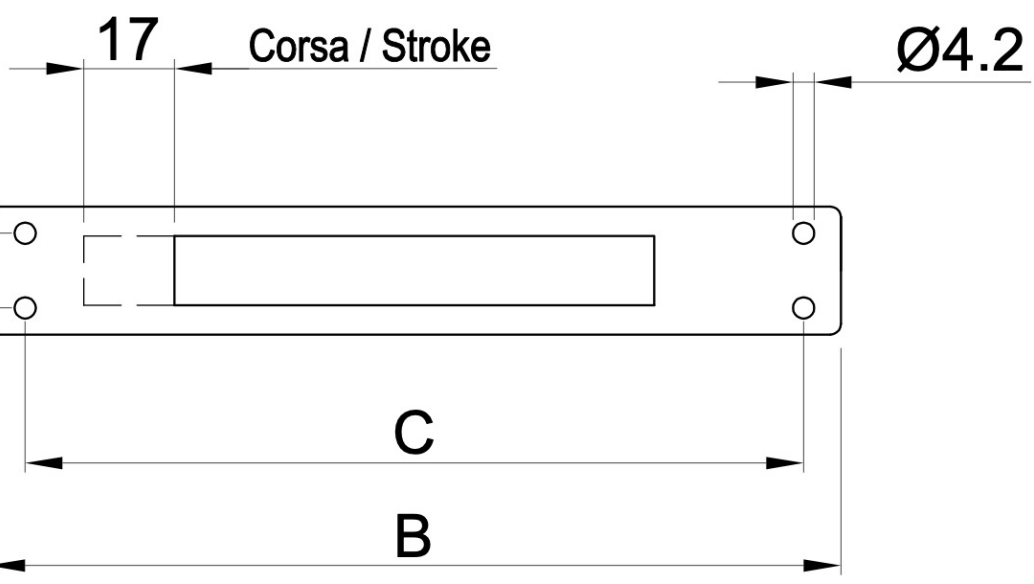
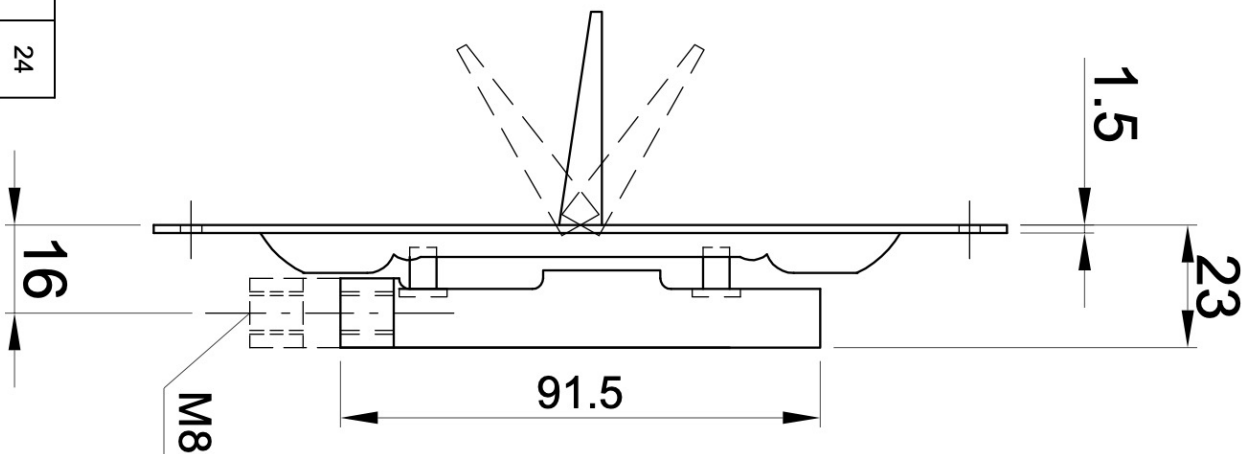
Desio, 09 febbraio 2026



ISO 9001



Industria Briantea Ferramenta Minuterie  
Desio (MB) ITALY - [www.ibfm.it](http://www.ibfm.it)



A	16	20	24
B	147	151	160
C	131	141	146
D	-	13	14

ARTICOLO.	004200Q	REV.	0001
DESCRIZIONE	Paletto a leva per serramenti in metallo	UNITÀ	mm
PERCORSO	Disegni/Art.004200Q/Art.004200.dwg	SCALA	1:1
DISEGNATORE	M.C.	DATA	20/01/2017



20832 desio (MB) - Italy  
 Via Lavoratori Autobianchi, 1B  
 +39-0362-627078/624502  
 Fax +39-0362-302692  
 ibfm@ibfm.it

Proprietà esclusiva di IBFM S.r.l. che si riserva tutti i diritti a termine di legge con divieto di uso e riproduzione senza l'autorizzazione scritta da parte dell'azienda. IBFM S.r.l. si riserva il diritto di apporre modifiche senza preavviso e autonomamente. Exclusive property of IBFM S.r.l. which reserves all rights by law with the prohibition of use and reproduction without the written agreement of the company. IBFM S.r.l. reserves the right to make changes without any notification and independently.