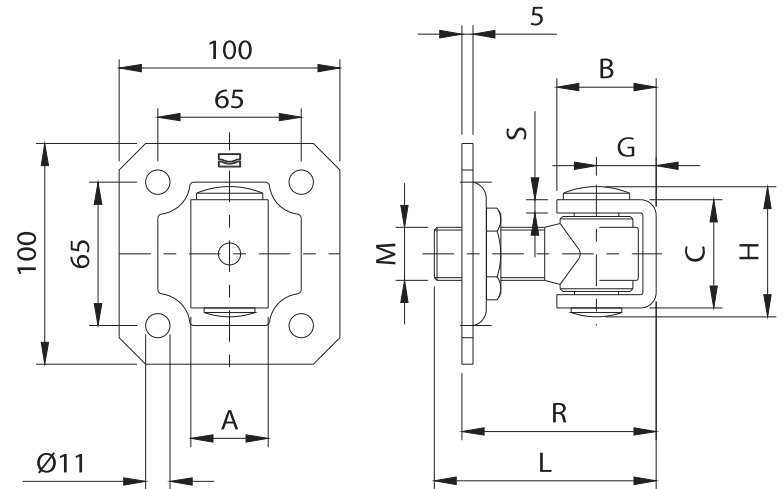


Art. 161



TECHNICAL CHARACTERISTICS				
	161-M20	161-M24		
WEIGHT OF PART	0,78 Kg	1.1 Kg		
LOAD-BEARING CAPACITY (P) L/H=1	150 Kg (pair of 161-M20)	225 Kg (pair of 161-M24)		
DURATION 110% (P)	15.000 Cycles	37.000 Cycles		
MAINTENANCE FREQUENCY				
PRIVATE HOME	BUSINESS	WAREHOUSE	CONDOMINIUM <20 UNITS	CONDOMINIUM > 20 UNITS
1 YEAR *	1 YEAR *	6 MONTHS *	6 MONTHS *	3 MONTHS
Check hinge wear. Check for deformation on the body.				
Check fixing of plugs. Check welds and horizontality of sash.				
*The scheme refers to a normal workplace (not marine or particularly aggressive environments).				

Art.	Code	A	B	C	G	H	L	M	R	S		 COPPA		
161-M20	10810305 001	30	40	37	25	47	85	M20	60-85	5	32	150	20	15,50
161-M24	10810310 001	35	45	49	27	59	100	M24	70-100	6	36	225	10	10,70

